

NATURAL LIGHT ENERGY SYSTEMS, dba KENNEDY SKYLIGHTS

MODEL "CMG" CURB MOUNTED GLASS SKYLIGHT - NI

INSTALLATION ANCHORAGE DETAILS

GENERAL NOTES:

1. THE PRODUCT ANCHORAGE SHOWN HEREIN IS DESIGNED TO COMPLY WITH THE REQUIREMENTS OF THE CURRENT EDITION OF THE FLORIDA BUILDING CODE - BUILDING (FBC) AND RESIDENTIAL (FRC) VOLUMES EXCLUDING THE HIGH VELOCITY HURRICANE ZONE (HVHZ) AT THE DESIGN PRESSURE(S) STATED HEREIN.
2. THE PRODUCT DETAILS CONTAINED HEREIN ARE BASED UPON SIGNED AND SEALED TEST REPORT NO. NCTL-210-3041-3A AND ASSOCIATED LABORATORY STAMPED DRAWINGS.
3. THE SKYLIGHT HAS BEEN TESTED IN ACCORDANCE WITH THE REQUIREMENTS OF THE CURRENT EDITION OF THE FLORIDA BUILDING CODE - BUILDING (FBC) AND RESIDENTIAL (FRC) VOLUMES EXCLUDING THE HIGH VELOCITY HURRICANE ZONE (HVHZ) AND DOCUMENTED IN SIGNED AND SEALED TEST REPORT NO. NCTL-210-3041-3A AND ASSOCIATED LABORATORY STAMPED DRAWINGS.
4. GLASS MEETS THE REQUIREMENTS OF ASTM E1300-12AE1. SEE SHEET 3 FOR GLAZING DETAILS.
5. ADEQUACY OF THE EXISTING STRUCTURAL FRAMING AS A MAIN WIND FORCE RESISTING SYSTEM CAPABLE OF WITHSTANDING AND TRANSFERRING APPLIED PRODUCT LOADS TO THE STRUCTURE IS THE RESPONSIBILITY OF THE ENGINEER OR ARCHITECT OF RECORD.
6. SITE CONDITIONS THAT DEVIATE FROM THE DETAILS OF THIS DRAWING REQUIRE FURTHER ENGINEERING ANALYSIS BY A LICENSED PROFESSIONAL ENGINEER OR REGISTERED ARCHITECT.
7. IN NON-HVHZ AREAS WHERE WINDBORNE DEBRIS PROTECTION REQUIREMENTS EXIST, USE OF AN IMPACT PROTECTIVE SYSTEM COMPLYING WITH THE FBC REQUIREMENTS FOR WINDBORNE DEBRIS REGIONS IS REQUIRED FOR THE PRODUCT(S) HEREIN.
8. WHEN APPLICABLE, DISSIMILAR METALS INCLUDING FASTENERS THAT MAY COME INTO CONTACT WITH ALUMINUM SKYLIGHT FRAMING SHALL HAVE BEEN PROTECTED IN A MANNER TO PREVENT GALVANIC CORROSION. FASTENERS SHALL BE MADE OF CORROSION RESISTANT METAL OR HAVE A CORROSION RESISTANT COATING.
9. CURB CONSTRUCTION AND MOUNTING DETAILS:
 - 9.1. A CURB SUPPLIED BY OTHERS CONSTRUCTED AND MOUNTED IN ACCORDANCE WITH THE REQUIREMENTS OF THE CURRENT EDITION OF THE FLORIDA BUILDING CODE - BUILDING (FBC) AND RESIDENTIAL (FRC) VOLUMES FOR THE TYPE OF CONSTRUCTION CLASSIFICATION WHERE THE SKYLIGHT IS TO BE INSTALLED IS ALLOWED.
 - 9.2. INTEGRATION WITH THE ROOF ASSEMBLY SHALL BE IN ACCORDANCE WITH CHAPTER 15 OF THE CURRENT EDITION OF THE FBC AND CHAPTER 9 OF THE CURRENT EDITION OF THE FRC.
 - 9.3. ADDITIONAL INSTALLATION DETAILING AND ENGINEERED INSTALLATION EVALUATION BY A LICENSED DESIGN PROFESSIONAL WILL BE REQUIRED FOR SUBMITTAL IN ADDITION TO THIS PRODUCT EVALUATION DOCUMENT.

INSTALLATION NOTES:

1. INSTALL GLASS CAP INTO CURB USING INSTALLATION ANCHORS AS LISTED IN INSTALLATION ANCHOR SCHEDULE THIS SHEET. SPACE ANCHORS 4" MAX. FROM ALL ENDS AND 10 3/4" MAX. O.C. THEREAFTER, ALL SIDES.
2. APPLY ALL SEALANTS ACCORDING TO MANUFACTURERS INSTRUCTIONS.
3. PRODUCT ANCHORS SHALL BE AS DESIGNATED AND LOCATED AS SHOWN ON THE INSTALLATION DRAWINGS. ANCHOR EMBEDMENT AND EDGE DISTANCE EXCLUDE WALL FINISHES INCLUDING, BUT NOT LIMITED TO SHEATHING, UNDERLAYMENT AND SHINGLES.
4. INSTALLATION ANCHORS AND ASSOCIATED HARDWARE MUST BE MADE OF CORROSION RESISTANT MATERIAL OR HAVE A CORROSION RESISTANT COATING. DISSIMILAR METALS OR MATERIALS IN CONTACT WITH PRESSURE TREATED WOOD MUST BE PROTECTED TO PREVENT REACTION.
5. INSTALLATION ANCHORS SHALL BE INSTALLED IN ACCORDANCE WITH ANCHOR MANUFACTURER'S INSTALLATION INSTRUCTIONS. ANCHORS SHALL NOT BE USED IN SUBSTRATES WITH STRENGTHS LESS THAN THE MINIMUM STRENGTH SPECIFIED IN THE INSTALLATION ANCHOR SCHEDULE ON THIS SHEET.
6. FOR SKYLIGHT SIZES LESS THAN THAT SHOWN IN THE ELEVATION, ANCHOR QUANTITIES MAY BE REDUCED BY ONE (1) WHEN SPACING BETWEEN ANCHORS IS 50% OR LESS THAN THE MAXIMUM SPACING REQUIRED.

INSTALLATION ANCHOR SCHEDULE							
CURB ASSEMBLY SUBSTRATE TYPE	HEAD TYPE	SIZE	MANUFACTURER AND/OR SPECIFICATION	MIN. EMBEDMENT (IN)	MIN. EDGE DISTANCE (IN)	MIN. SPACING (IN)	CAPACITIES BASED ON
CONCRETE	HEX HEAD	3/16"	ITW TAPCON (2)	1 1/2	1 1/8	2 1/2	MIN. 2500 PSI CONCRETE BUT NOT LESS THAN THAT REQUIRED BY BUILDING CODE
			Elco Ultracon	1 3/8	1	3 3/8	MIN. 2500 PSI CONCRETE BUT NOT LESS THAN THAT REQUIRED BY BUILDING CODE
MASONRY (BLOCK/CMU)	HEX HEAD	3/16"	ITW TAPCON (2)	1	2	2 1/2	STRENGTH CONFORMANCE TO ASTM C-90, MEDIUM WEIGHT DENSITY > 117 PCF
			Elco Ultracon	1 1/4	1	3 3/8	STRENGTH CONFORMANCE TO ASTM C-90, MEDIUM WEIGHT
SOLID-SAWN LUMBER (1)	HEX, PAN OR TRUSS HEAD	NO. 10	ASME B18.6.4 (SELF-DRILLING/SELF-TAPPING SCREW)	1 1/4	3/4	3/4	WOOD WITH A MINIMUM SPECIFIC GRAVITY OF 0.55
ALUMINUM OR STEEL, 1/8" MIN. WALL THICKNESS	HEX, PAN OR TRUSS HEAD	NO. 10	ASME B18.6.4 (SELF-DRILLING/SELF-TAPPING SCREW)	PROTRUDING MIN. 3 THREADS PAST INTERIOR OF SUBSTRATE	1/2	1/2	ULTIMATE STRENGTH (Fu) OF 22,000 PSI

NOTES:
 1) FOR WOOD AND TAPPING SCREWS IF SPLITTING IS A CONCERN, DRILL 0.112" (DRILL SIZE 34) PILOT HOLE FOR WOOD FRAME INSTALLATION.
 2) WHEN ITW TAPCONS ARE USED FOR CONCRETE/MASONRY INSTALLATION, THEY SHALL BE THE ADVANCED THREADFORM TECHNOLOGY TYPE.

TABLE OF CONTENT

SHEET	DESCRIPTION
1	GENERAL AND INSTALLATION NOTES
2	ELEVATION AND ANCHORING LAYOUT
3	INSTALLATION CROSS SECTION AND GLAZING DETAIL
4	BILL OF MATERIALS AND COMPONENTS

SEE SHEET 2 FOR DESIGN PRESSURE RATINGS

PROJECT NUMBER: 423-0504

D	Update to 8th Edition (2023) FBC	10/16/23	RJA
C	UPDATE CONDENSATION CHANNEL (ITEM NO. 3)	12/14/19	RJA
B	Update to 6th Edition (2017) FBC	12/6/17	RJA
A	Update to 5th Edition (2014) FBC	7/15/15	RJA
REV	DESCRIPTION	DATE	BY

NATURAL LIGHT ENERGY SYSTEMS, dba KENNEDY SKYLIGHTS

5294 TOWER WAY
SANFORD, FL 32773

DATE: 05/08/12

DRAWING NO: KENN0003

DRAWN BY: TJH

SCALE: N.T.S.

SHEET: 1 OF 4

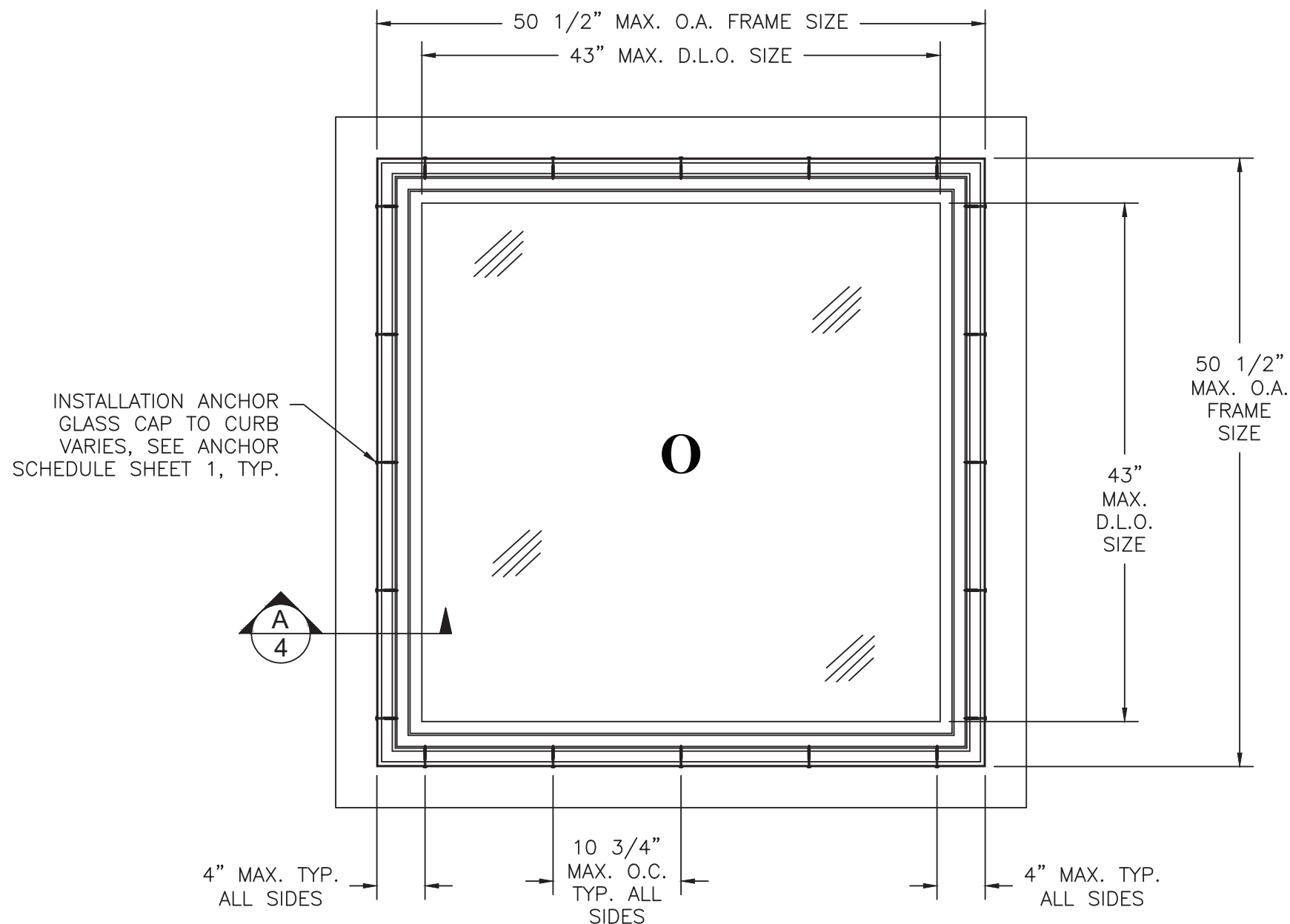
TITLE: MODEL "CMG" CURB MOUNTED GLASS SKYLIGHT
NON-IMPACT
GENERAL AND INSTALLATION NOTE

PREPARED BY:

PFC PRODUCT DESIGN GROUP, LLC
PO BOX 520776
LONGWOOD, FLORIDA 32752
FBPE CA. NO. 25358

Phone: 321.690.1789
Fax: 321.690.1789
Email: info@pfc-corp.com

Robert J. Amoruso, P.E.
FL P.E. No. 49752



INSTALLATION ANCHOR
GLASS CAP TO CURB
VARIES, SEE ANCHOR
SCHEDULE SHEET 1, TYP.

4" MAX. TYP.
ALL SIDES

10 3/4"
MAX. O.C.
TYP. ALL
SIDES

4" MAX. TYP.
ALL SIDES

**MODEL "CMG" CURB
MOUNTED SKYLIGHT**
EXTERIOR VIEW

DESIGN PRESSURE RATING (PSF)	IMPACT RATING
+95/-95	NON-IMPACT

PROJECT NUMBER: 423-0504

REV	DESCRIPTION	DATE	BY
D	Update to 8th Edition (2023) FBC	10/16/23	RJA
C	UPDATE CONDENSATION CHANNEL (ITEM NO. 3)	12/14/19	RJA
B	Update to 6th Edition (2017) FBC	12/6/17	RJA
A	Update to 5th Edition (2014) FBC	7/15/15	RJA

NATURAL LIGHT ENERGY SYSTEMS, dba KENNEDY SKYLIGHTS
5294 TOWER WAY
SANFORD, FL 32773

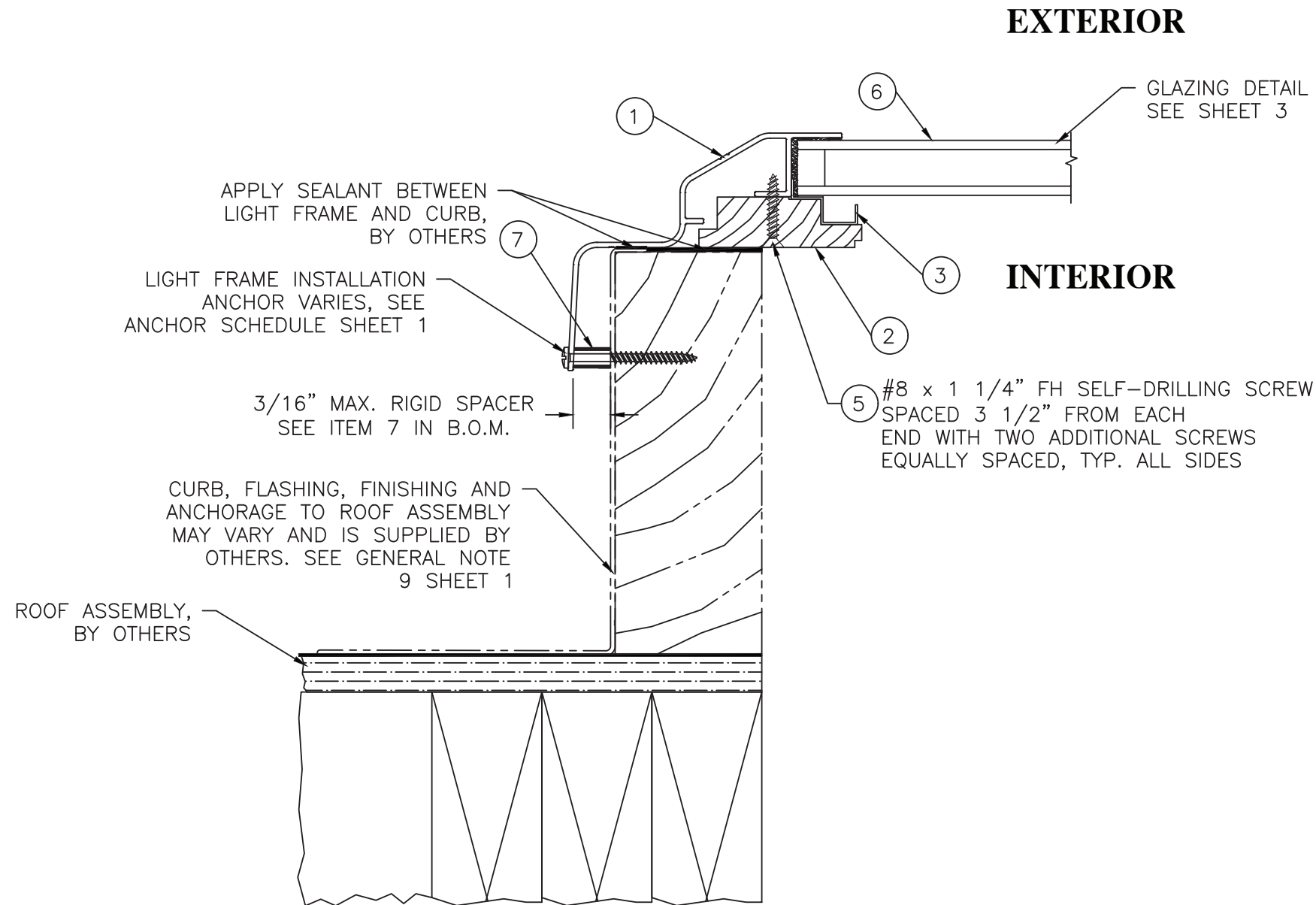
TITLE: MODEL "CMG" CURB MOUNTED GLASS SKYLIGHT
NON-IMPACT
ELEVATION AND ANCHORING LAYOUT

PREPARED BY: PTC PRODUCT DESIGN GROUP, LLC
PO BOX 520776
LONGWOOD, FLORIDA 32752
FBPE CA. NO. 23535

DATE: 05/08/12
DRAWING NO: KENN0003
SHEET: 2 OF 4

DRAWN BY: TJH
SCALE: N.T.S.
REV: D

Robert J. Amoruso, P.E.
FL P.E. No. 49752



APPLY SEALANT BETWEEN LIGHT FRAME AND CURB, BY OTHERS

LIGHT FRAME INSTALLATION ANCHOR VARIES, SEE ANCHOR SCHEDULE SHEET 1

3/16" MAX. RIGID SPACER SEE ITEM 7 IN B.O.M.

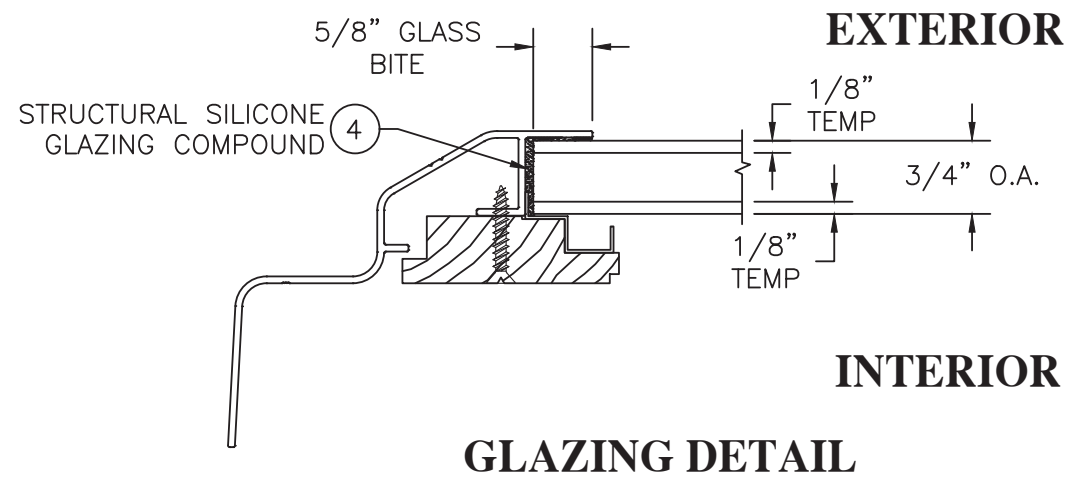
CURB, FLASHING, FINISHING AND ANCHORAGE TO ROOF ASSEMBLY MAY VARY AND IS SUPPLIED BY OTHERS. SEE GENERAL NOTE 9 SHEET 1

ROOF ASSEMBLY, BY OTHERS

GLAZING DETAIL SEE SHEET 3

#8 x 1 1/4" FH SELF-DRILLING SCREW SPACED 3 1/2" FROM EACH END WITH TWO ADDITIONAL SCREWS EQUALLY SPACED, TYP. ALL SIDES

A INSTALLATION CROSS SECTION
4



GLAZING DETAIL

PROJECT NUMBER: 423-0504	
D	Update to 8th Edition (2023) FBC RJA 10/16/23
C	UPDATE CONDENSATION CHANNEL (ITEM NO. 3) RJA 12/14/19
B	Update to 6th Edition (2017) FBC RJA 12/6/17
A	Update to 5th Edition (2014) FBC RJA 7/15/15
REV	DESCRIPTION DATE BY

NATURAL LIGHT ENERGY SYSTEMS, dba KENNEDY SKYLIGHTS
5294 TOWER WAY
SANFORD, FL 32773

TITLE: MODEL "CMG" CURB MOUNTED GLASS SKYLIGHT
NON-IMPACT
INSTALLATION CROSS SECTION AND GLAZING DETAIL

PREPARED BY: PTC PRODUCT DESIGN GROUP, LLC
LONGWOOD, FLORIDA 32752
FBPE CA. NO. 23535

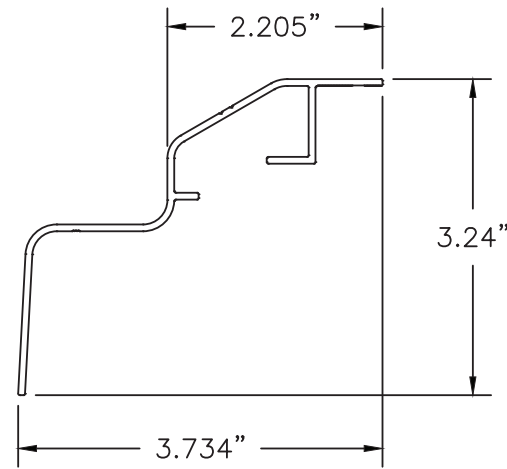
DATE: 05/08/12
DRAWN BY: TJH
SCALE: N.T.S.
DRAWING NO: KENN0003
REV: D
SHEET: 3 OF 4

PTC PRODUCT DESIGN GROUP, LLC
PO BOX 520776
LONGWOOD, FLORIDA 32752
Phone: 321.690.1789
Fax: 321.690.1789
Email: info@ptc-corp.com

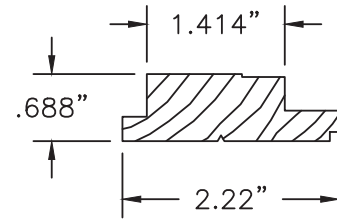
Robert J. Amoruso, P.E.
FL P.E. No. 49752

BILL OF MATERIALS

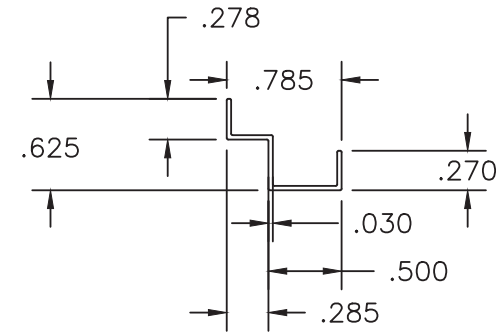
ITEM #	PART #	ITEM DESCRIPTION	MANUFACTURER	MATERIAL
1	FE4701	GLASS CAP	INDALEX ALUM. SOLUTIONS	ALUM. 6063-T6
2	SM KS-4	WOOD LIGHT FRAME	NATURAL LIGHT ENERGY SYSTEMS, dba KENNEDY SKYLIGHTS	WOOD
3	-----	CONDENSATION CHANNEL	OMEGA PLASTICS	RPVC/W UV PROTECTION
4		GLAZING COMPOUND	NOVAFLEX	STRUCTURAL SILICONE
5		#8 x 1 1/4" FH SELF-DRILLING SCREW		
6		NON-IMPACT TEMPERED GLAZING, SEE SHEET 3		
7		RIGID SPACER FOR GLASS CAP INSTALLATION, SEE INSTALLATION NOTE 4 SHEET 1		RIGID



① GLASS CAP
 EXTRUDED ALUMINUM 6063-T6
 0.070" THICK



② WOOD LIGHT FRAME



③ CONDENSATION CHANNEL
 RPVC W/UV PROTECTION
 0.030" THICK

PROJECT NUMBER: 423-0504			
D	Update to 8th Edition (2023) FBC	RJA	10/16/23
C	UPDATE CONDENSATION CHANNEL (ITEM NO. 3)	RJA	12/14/19
B	Update to 6th Edition (2017) FBC	RJA	12/6/17
A	Update to 5th Edition (2014) FCB	RJA	7/15/15
REV	DESCRIPTION	DATE	BY

NATURAL LIGHT ENERGY SYSTEMS, dba KENNEDY SKYLIGHTS
 5294 TOWER WAY
 SANFORD, FL 32773

TITLE: MODEL "CMG" CURB MOUNTED GLASS SKYLIGHT
 NON-IMPACT
 BILL OF MATERIALS AND COMPONENTS

PREPARED BY: TJH
 DATE: 05/08/12
 SCALE: N.T.S.
 DRAWING NO: KENN0003
 SHEET: 4 OF 4

PTC PRODUCT DESIGN GROUP, LLC
 PO BOX 520776
 LONGWOOD, FLORIDA 32752
 FBPE CA. NO. 23535
 Phone: 321.690.1789
 Fax: 321.690.1789
 Email: info@ptc-corp.com

Robert J. Amoruso, P.E.
 FL P.E. No. 49752